

REFRIGERATOR MANUFACTURER
Turbo air
 more durable, efficient, beautiful

4184 E. Conant St.
 Long Beach, CA 90808
 Tel. 310-900-1000
 Fax. 310-900-1077
www.turboairinc.com

Project:	
Model #:	
Item #:	
Available W/H:	Qty:
Approval:	
AIA #:	SIS #:
CSI Section 11400	

Mega Top Unit

Food Prep Tables
 E-line

Model : EST-36-15-N6-V




≡ FEATURES & BENEFITS ≡

- Hydrocarbon refrigerants (R-600a)**
 With innovative and eco-friendly technology, Turbo Air brings you hydrocarbon refrigerators designed to meet DOE's Energy Conservation Standards in 2017 and to use EPA's SNAP Program approved HC refrigerants. Hydrocarbon refrigerants do not deplete the ozone layer and have very low contribution to global warming (ODP-0, GWP-3).
- Cold air compartment**
 Our innovative "Cold Air Compartment" maintains temperature evenly for each pan to preserve fresh food longer. In addition, the compartment isolates pans from the reach-in area to prevent food spillage.
- Cabinet construction**
 E-line model boasts a stainless steel exterior (door) with AL exterior sides (galvanized steel back and bottom). Interior is stainless steel floor and back with AL sides. It guarantees the utmost in cleanliness and long product life.
- High-density polyurethane insulation**
 The entire cabinet structure and solid doors are foamed-in-place using high density, CFC free polyurethane insulation.
- Convenient cutting board side rail**
- Self-contained system**
- Standard 4" dia. swivel casters with locks on the front set**
- Standard 1/6 size, 4" deep condiment pans included**
- 9-1/2" deep, 1/2" thick cutting board included**
- Adjustable, heavy duty, PE (polyethylene) coated wire shelves**
- Refrigerator holds 33°F ~ 39°F for the best in food preservation**



Model	Swing Doors	CU./FT.	#of Shelves	#of Pans	#of Hood	HP	AMPS	Crated Weight (lbs.)	L x D [†] x H [†] (inches)
EST-36-15-N6-V	2	11	2	15	1	1/5	3	172	36³/₈ x 34 x 39

Model : EST-36-15-N6-V

ELECTRICAL DATA	
Voltage	115/60/1
Plug Type	 NEMA 5-15P
Full Load Amperes	3
Compressor HP	1/5
Cord Length (ft.)	9
Refrigerant	R-600a
DIMENSIONAL DATA	
Net Capacity (cu. ft.)	11
Ext. Length Overall (in.)	36 ³ / ₈ (923mm)
Ext. Depth Overall (in.)*	34 (865mm)
Ext. Height Overall (in.)†	39 (991mm)
# of Doors	2
# of Shelves	2
# of Pans	15
Shelf Size (in.)	15 x 17
Gross Weight (lbs.)	172

Design and specifications subject to change without notice.

Actual shipping weight may differ due to extra packing materials for product protection.

* Depth does not include 3" for cutting board and 1" for rear spacers.

† Height does not include 5-5/8" for caster height.

■ **WARRANTY : 2 Year Parts and Labor Warranty**
Additional 3 Year Warranty on Compressor

■ **STANDARD FEATURES**

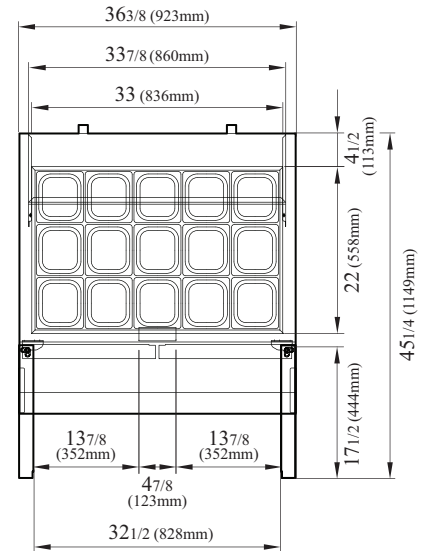
- Self-contained system
- Standard 4" dia. swivel casters with locks on the front set
- Standard 1/6 size, 4" deep condiment pans included

■ **OPTIONAL ACCESSORIES**

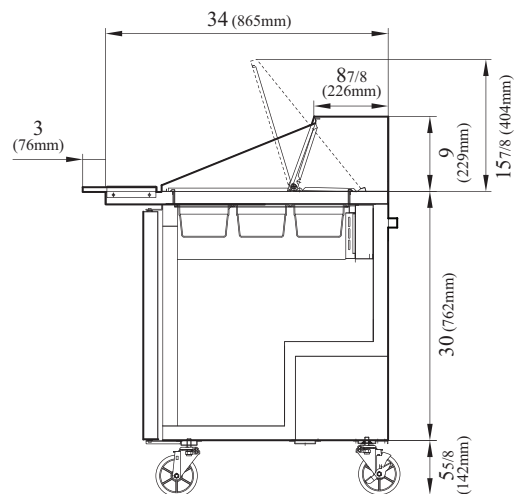
- 1" caster, 1/2" diameter & 13 TPI: S28R813660 (non-brake)
- 2.5" caster, 1/2" diameter & 13 TPI: 30265H0100 (non-brake), 30265H0200 (w/ brake)
- 5" caster, 1/2" diameter & 13 TPI: M726500100 (non-brake), M726500200 (w/ brake)
- Leveling leg, 1/2" - 13 TPI x 1.54": LFM1213566
- 6" ABS plastic leg: 30221M0200
- 6" stainless steel leg: 30221M0600
- Additional PE coated wire shelf: WM37800100
- Removable food cover: RCT-36-15
- Double overshelf, 18/304 stainless steel, 36-3/8" W: TSOS-3R
- Clear Lid: CL-35-15

PLAN VIEW

(unit : inch)



TOP VIEW



SIDE VIEW

Ver.20210208



- Turbo Air : 800-627-0032
- GK : 800-500-3519
- Warranty : 800-381-7770
- AC : 888-900-1002