

| | | | |
|--|--|-------------------|--------|
|  REFRIGERATOR MANUFACTURER Turbo air more durable, efficient, beautiful | 4184 E. Conant St. Long Beach, CA 90808 Tel. 310-900-1000 Fax. 310-900-1077 www.turboairinc.com | Project: | |
| | | Model #: | |
| | | Item #: | |
| | | Available W/H: | Qty: |
| | | Approval: | |
| | | AIA #: | SIS #: |
| | | CSI Section 11400 | |

Pass Thru Solid Door Heated Cabinet

*Pass-Thru
PRO Series*

≡ FEATURES & BENEFITS ≡

**Model :PRO-26H-PT(-L)(-LR)(-RL)
PRO-26H2-PT(-L)(-LR)(-RL)**

- **Digital temperature control & monitor system**

 - Keeps food products safe by maintaining constant temperatures
 - Alarm beeps when doors are not sealed
 - Early warning alarm program detects issues before malfunction occurs
 - Digital display allows for easy monitoring
 - Sensitive touch display

- **Ducted fan air distribution system**

Maintains temperature within the food zone

- **On/Off switch**

ON/OFF switch is located on control panel

- **All stainless steel cabinet construction**

The PRO series model boasts a stainless steel interior and a **22 gauge** stainless steel exterior (galvanized steel top, bottom). It guarantees the utmost in cleanliness and long product life. The PRO series model adds a touch of style to the most refined setting.

- **Sturdy, clean stainless steel shelving**

 - Shelves are the most important part of cleanliness as they come in direct contact with food. After a while, PVC coated wire shelves may peel, rust and lead to unsanitary conditions. Only the Turbo Air PRO series uniquely provides stainless steel shelving.

- **LED interior lighting**

- **High-density polyurethane insulation**

The entire cabinet structure and solid doors are foamed-in-place using high density, CFC free polyurethane insulation.

- **Full length stainless steel solid doors with locks**

- **Self-closing doors with stay open feature at 120 degrees**

- **Heated cabinet holds 140°F ~ 180°F for the best in food preservation**

- **Lifetime guaranteed heavy duty hinges and handles**

- PRO-26H-PT: Right hinged, 115V
- PRO-26H-PT-L: Left hinged, 115V
- PRO-26H-PT-LR: (Front) Left hinged, (Back) Right hinged, 115V
- PRO-26H-PT-RL: (Front) Right hinged, (Back) Left hinged, 115V
- PRO-26H2-PT: Right hinged, 208V
- PRO-26H2-PT-L: Left hinged, 208V
- PRO-26H2-PT-LR: (Front) Left hinged, (Back) Right hinged, 208V
- PRO-26H2-PT-RL: (Front) Right hinged, (Back) Left hinged, 208V



| Model | Swing Door | CU./FT. | #of Shelves | Wattage (W) | AMPS | Crated Weight (lbs.) | L x D x H † (inches) |
|---|------------|---------|-------------|-------------|-------------|----------------------|--|
| PRO-26H-PT(-L)(-LR)(-RL) PRO-26H2-PT(-L)(-LR)(-RL) | 2 | 26 | 3 | 1550 | 13.5 7.5 | 324 | 28 ³ / ₄ x 36 ¹ / ₄ x 78 |

Ver.20230126 Printed in U.S.A. * Depth does not include 2-1/2" for door handles. † Height does not include 5" for caster height.

Pass Thru Solid Door Heated Cabinet

Pass-Thru
PRO Series

Model : PRO-26H-PT(-L)(-LR)(-RL) PRO-26H2-PT(-L)(-LR)(-RL)

| ELECTRICAL DATA | PRO-26H-PT (-L)(-LR)(-RL) | PRO-26H2-PT (-L)(-LR)(-RL) |
|--|---|---|
| Voltage | 115/60/1 | 208/115/60/1 |
| Plug Type | NEMA 5-15P | NEMA L14-20P |
| Full Load Amperes | 13.5 | 7.5 |
| Wattage (W) | 1550 | 1550 |
| Cord Length (ft.) | 8 | 8 |
| DIMENSIONAL DATA | | |
| # of Doors | 2 | 2 |
| # of Racks Accepted | 1 | 1 |
| Net Capacity (cu. ft.) | 26 | 26 |
| Ext. Length Overall (in.) | 28 ³ / ₄ (730mm) | 28 ³ / ₄ (730mm) |
| Ext. Depth Overall (in.) [*] | 36 ¹ / ₄ (920mm) | 36 ¹ / ₄ (920mm) |
| Ext. Height Overall (in.) [†] | 78 (1982mm) | 78 (1982mm) |
| Int. Length Overall (in.) | 22 (559mm) | 22 (559mm) |
| Int. Depth Overall (in.) | 27 ⁵ / ₈ (702mm) | 27 ⁵ / ₈ (702mm) |
| Int. Height Overall (in.) | 58 ³ / ₄ (1493mm) | 58 ³ / ₄ (1493mm) |
| # of Shelves | 3 | 3 |
| Shelf Size (L x D) (in.) | 23 ¹ / ₂ x 26 ³ / ₈ | 23 ¹ / ₂ x 26 ³ / ₈ |
| Net Weight (lbs.) | 279 | 279 |
| Gross Weight (lbs.) | 324 | 324 |

Design and specifications subject to change without notice.

Actual shipping weight may differ due to extra packing materials for product protection.

* Depth does not include 2-1/2" for door handles.

† Height does not include 5" for caster height.

■ WARRANTY : 3 Year Parts and Labor Warranty

■ STANDARD FEATURES

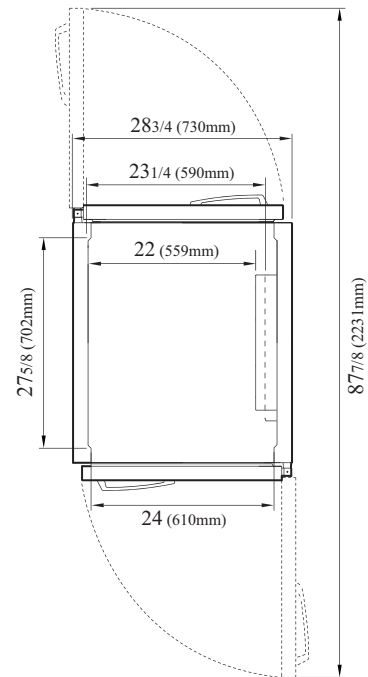
- Door locks
- 4" dia. swivel casters with locks on the front set
- Easy replaceable one piece magnetic door gaskets
- Solid and sturdy grille design

■ OPTIONAL ACCESSORIES

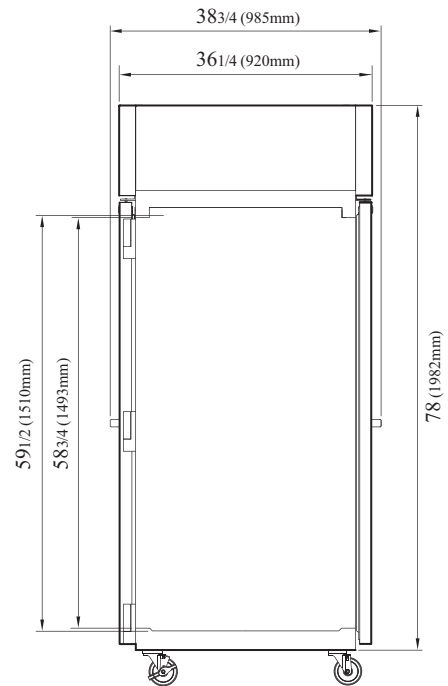
- 5" caster, 1/2" diameter & 13 TPI:
M726500100 (non-brake), M726500200 (w/ brake)
- 4.7" leveling seismic leg (1/2", 13 TPI): 30221M0500
- 6" stainless steel leg: 30221M0600
- Additional stainless steel shelf: H26R901680
- Half door bun tray rack: TSP-2224
(each holds up to six 18"L x 26"D sheet pans)
- Full door bun tray rack: TSP-2250
(each holds up to fifteen 18"L x 26"D sheet pans)
- Tray slides kits: TS1-N1(#1), TS1-N4(#4), TS1-UN(Universal), TS1-N1 HALF,
TS1-N4 HALF, TS1-UN HALF
- (1) Pair of #1 Tray Slides: H26R104460
- (1) Pair of Universal Tray Slides: H26R104470

PLAN VIEW

(unit : inch)



TOP VIEW



SIDE VIEW

Ver.20230126



- Turbo Air : 800-627-0032
- GK : 800-500-3519
- Warranty : 800-381-7770
- AC : 888-900-1002

REFRIGERATOR MANUFACTURER
Turbo air

GERMAN
KNIFE

RADIANCE

REFRIGERATION SYSTEM
Turbo air **TEXAKING**

Continued product development may necessitate specification changes without notice.