

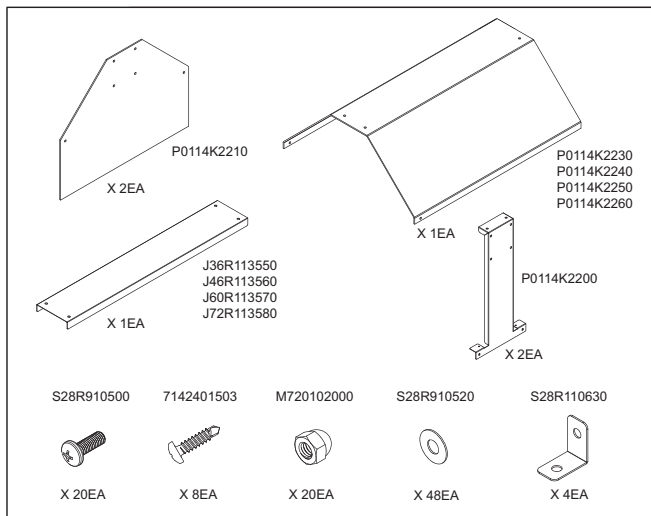
**Turbo air**  
 REFRIGERATOR MANUFACTURER  
 more durable, efficient, beautiful

4184 E. Conant St.  
 Long Beach, CA 90808  
 Tel. 310-900-1000  
 Fax. 310-900-1077  
[www.turboairinc.com](http://www.turboairinc.com)

Project:	
Model #:	
Item #:	
Available W/H:	Qty:
Approval:	
AIA #:	SIS #:
CSI Section 11400	

## Sneeze Guards for JBT Series

**Model : SNZ-T**

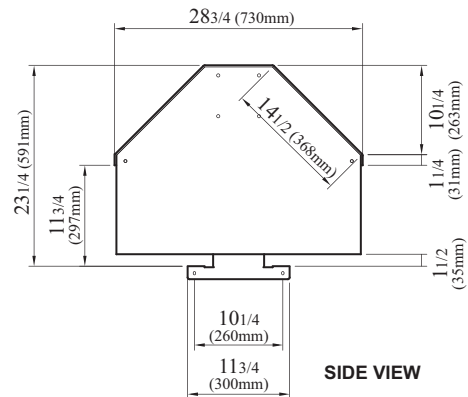
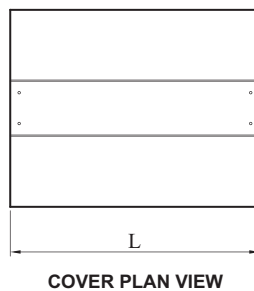


### FEATURES & BENEFITS

- Double sided sneeze guard keeps the food safe and protects the food area from germs and foreign objects
- A transparent polycarbonate cover is durable, less likely to get scratches, and break resistant. 304 stainless steel two side stands are easy to clean and anti-corrosive
- The package includes support brackets and mounting hardware (except tools)

### PLAN VIEW

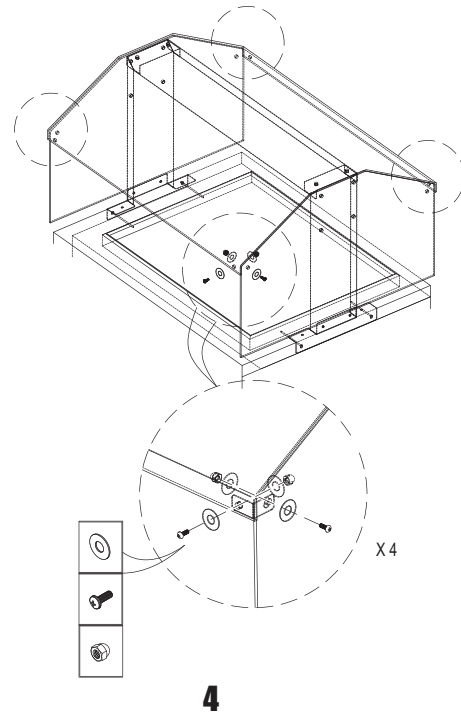
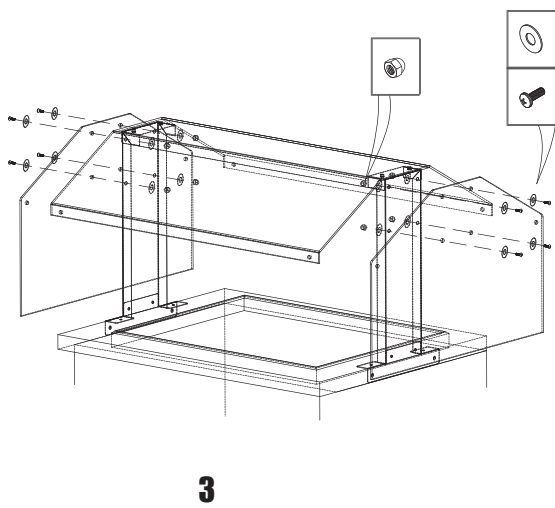
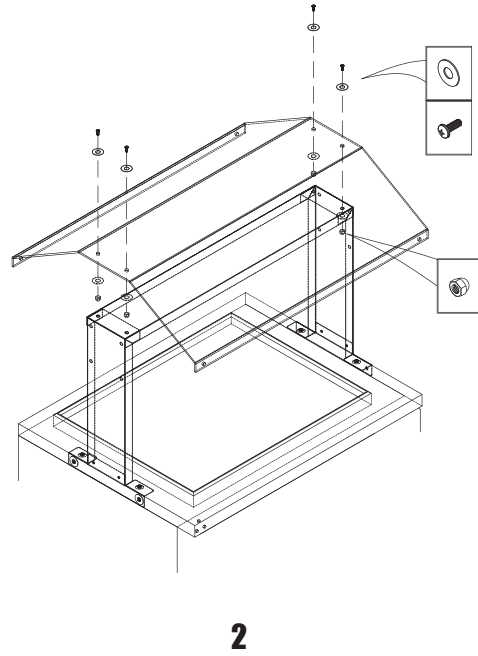
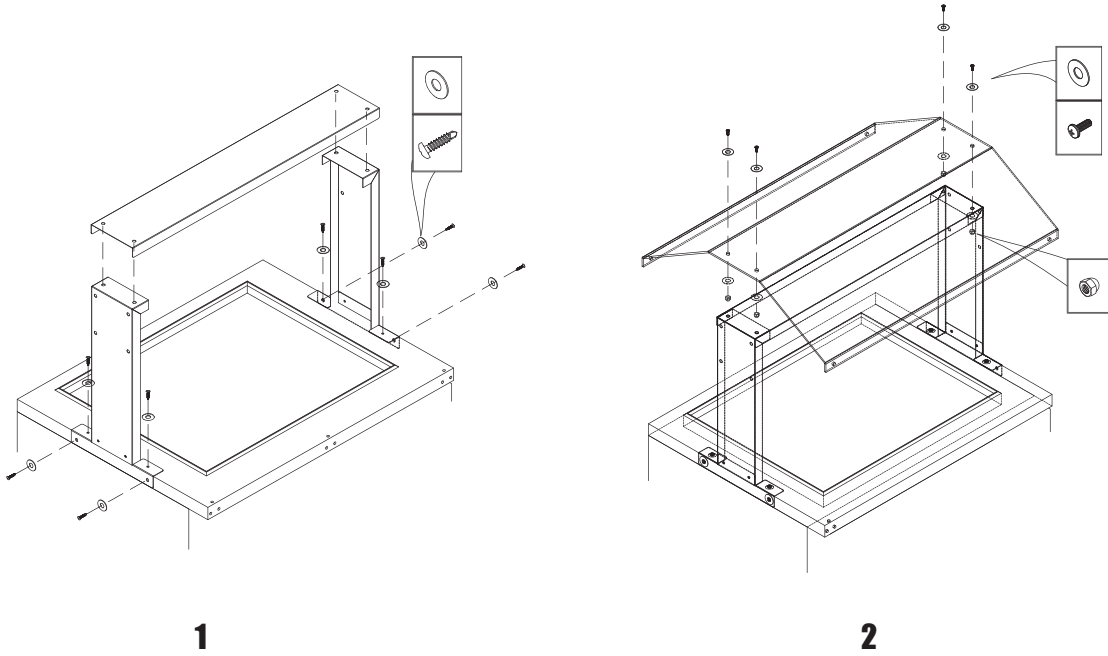
(unit : inch)



Model	L (in.)	Net Weight (lbs.)
SNZ-36T	36 <sup>1</sup> / <sub>4</sub> (922mm)	11
SNZ-48T	48 (1222mm)	13.5
SNZ-60T	60 (1522mm)	16
SNZ-72T	71 <sup>3</sup> / <sub>4</sub> (1822mm)	18.4

# Sneeze Guards for JBT Series

## Installation Instruction



Ver.20241105

- Turbo Air: 800-627-0032
- Radiance: 800-500-3519
- Warranty: 800-381-7770
- AC: 888-900-1002