



more durable, efficient, beautiful

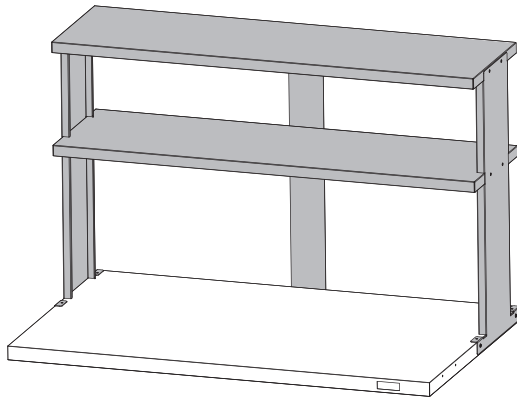
4184 E. Conant St.
 Long Beach, CA 90808
 Tel. 310-900-1000
 Fax. 310-900-1077
www.turboairinc.com

Project:	
Model #:	
Item #:	
Available W/H:	Qty:
Approval:	
AIA #:	SIS #:
CSI Section 11400	

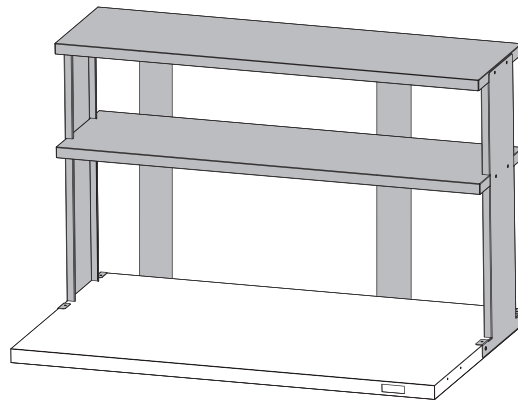
Double Overshelf

HIGH QUALITY 304 STAINLESS STEEL

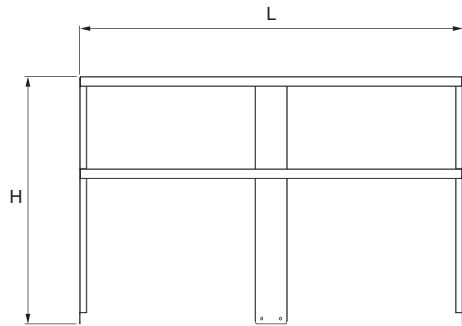
Model : TSOS-R-T



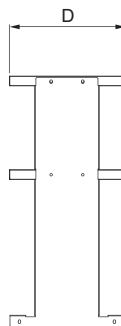
TSOS-3R-T / TSOS-4R-T / TSOS-5R-T



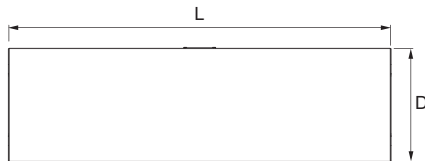
TSOS-6R-T



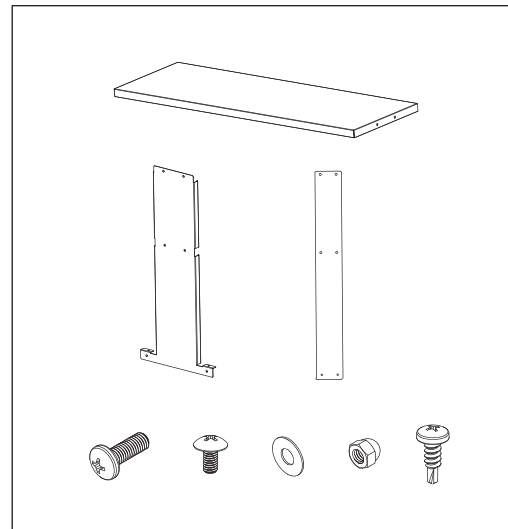
FRONT VIEW



SIDE VIEW



TOP VIEW



Model*	L (in.)	D (in.)	H (in.)	Net Weight (lbs.)	Loading Capacity Per Layer (lbs.)
TSOS-3R-T	36 ³ / ₈	14 ¹ / ₂	31 ¹ / ₄	36	40
TSOS-4R-T	48 ³ / ₈	14 ¹ / ₂	31 ¹ / ₄	44	40
TSOS-5R-T	60 ³ / ₈	14 ¹ / ₂	31 ¹ / ₄	54	40
TSOS-6R-T	72 ³ / ₄	14 ¹ / ₂	31 ¹ / ₄	64	40