

REFRIGERATOR MANUFACTURER
Turbo air
 more durable, efficient, beautiful

4184 E. Conant St.
 Long Beach, CA 90808
 Tel. 310-900-1000
 Fax. 310-900-1077
www.turboairinc.com

Project :	
Model # :	
Item # :	Qty :
Available W/H :	
Approval :	

Sliding Door Merchandisers

Glass Door Merchandisers
 Refrigerators

FEATURES & BENEFITS

Model : TGM-48R(B)-N

■ **Hydrocarbon refrigerants (R-290)**

With innovative and eco-friendly technology, Turbo Air brings you hydrocarbon refrigerators designed to meet DOE's Energy Conservation Standards in 2017 and to use EPA's SNAP Program approved HC refrigerants. Hydrocarbon refrigerants do not deplete the ozone layer and have very low contribution to global warming (ODP-0, GWP-3).

■ **Energy conserving fan control**

Utilizing algorithmic air circulation for optimal temperature levels, our innovative fan control system conserves energy by at least 15% and increases compressor life by up to 30%.

■ **Hot gas condensate system**

Through Turbo Air's creative innovation, the condensate system surfaces have been specially treated to resist corrosion. This not only increases efficiency without the risk of refrigerant leakage from corrosion, but also prevents the overflow of condensate water.

■ **Double pane glass doors with Low-E glass**

Energy saving double pane glass doors are equipped with Low-emissivity glass, which reduces outer heat gain and decreases energy consumption. It enhances energy efficiency and minimizes condensation. Lightweight door construction also reduces door maintenance and bushing wear, which in turn facilitates smoother door opening.

■ **High-density polyurethane insulation**

The entire cabinet structure and solid doors are foamed-in-place using high density, HCFC free polyurethane insulation.

■ **Adjustable, heavy duty, PE (polyethylene) coated wire shelves**

■ **LED advertising panel**

LED lighting offers 5 times longer lasting life than fluorescents and conserves energy as well.

■ **LED interior lighting**

■ **Refrigerator holds 33°F ~ 38°F for the best in beverage preservation**

■ **Stay open door for easy loading of product**



TGM-48R-N



TGM-48RB-N

NATURAL Refrigerant

SPEC
 ISO 9001:2008

ETL
 Intertek

ETL
 Intertek

2 YEAR WARRANTY

5 YEAR WARRANTY
 (on compressor)

Model	Sliding Door	CU./FT.	#of Shelves	HP	AMPS	Crated Weight (lbs.)	L x D x H (inches)
TGM-48R(B)-N	2	44	8	1/2	5.7	486	55 7/8 x 30 x 79 1/8

Model : TGM-48R(B)-N

ELECTRICAL DATA	
Voltage	115/60/1
Plug Type	Ⓜ NEMA 5-15P
Full Load Amperes	5.7
Compressor HP	1/2
Cord Length (ft.)	7
Refrigerant	R-290
DIMENSIONAL DATA	
# of Doors	2
Net Capacity (cu. ft.)	44
Ext. Length Overall (in.)	55 7/8 (1417mm)
Ext. Depth Overall (in.)*	30 (762mm)
Ext. Height Overall (in.)	79 1/8 (2010mm)
Int. Length Overall (in.)	52 7/8 (1341mm)
Int. Depth Overall (in.)	24 1/2 (622mm)
Int. Height Overall (in.)	61 1/4 (1556mm)
# of Shelves	8
Shelf Size (L x D) (in.)	25 1/4 x 23 3/8
Bottle Capacity (Full/Load line)	560 / 448
Net Weight (lbs.)	463
Gross Weight (lbs.)	486

Design and specifications subject to change without notice.
Actual shipping weight may differ due to extra packing materials for product protection.
* Depth does not include 3/4" for door handle.

- **WARRANTY : 2 Year Parts and Labor Warranty**
Additional 3 Year Warranty on Compressor

■ STANDARD FEATURES

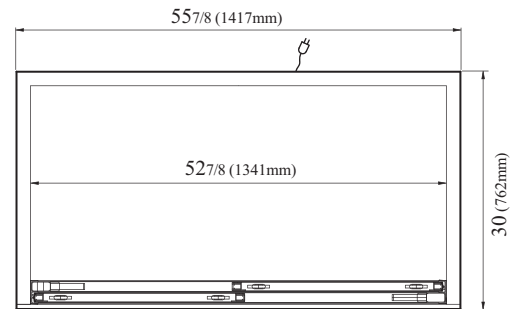
- Anti-corrosion coated evaporator
- White and black color cabinet available

■ OPTIONAL ACCESSORIES

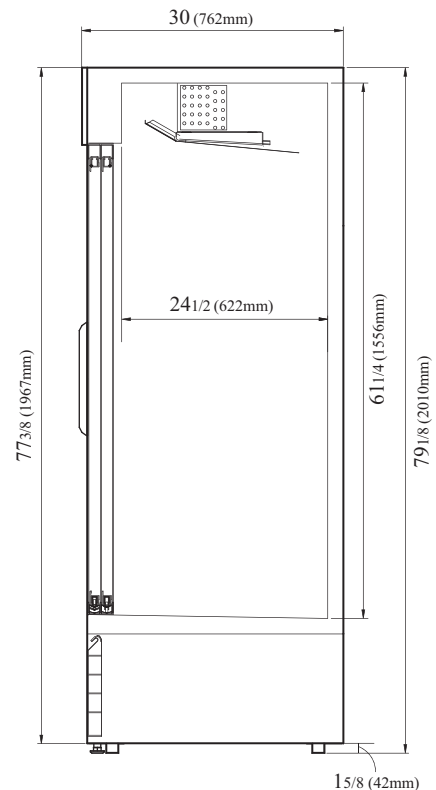
- 4" caster, 1/2" diameter & 13 TPI: G8F6500101 (non-brake), G8F6500201 (w/ brake)
- Additional PE coated wire shelf: 30278D0107
- Sign panel (blank): 30214D0712

PLAN VIEW

(unit : inch)



PLAN VIEW



SIDE VIEW

Ver.20200311



- Turbo Air : 800-627-0032
- GK : 800-500-3519
- Warranty : 800-381-7770
- AC : 888-900-1002