

**REFRIGERATOR MANUFACTURER**  
**Turbo air**  
 more durable, efficient, beautiful

4184 E. Conant St.  
 Long Beach, CA 90808  
 Tel. 310-900-1000  
 Fax. 310-900-1077  
[www.turboairinc.com](http://www.turboairinc.com)

Project:	
Model #:	
Item #:	
Available W/H:	Qty:
Approval:	
AIA #:	SIS #:
CSI Section 11400	

## Narrow Back Bars

*Underbar Equipment  
 Super Deluxe Series*

**Model : TBB-24-48SSD-N6  
 TBB-24-48SGSD-N**



**TBB-24-48SSD-N**



**TBB-24-48SGSD-N6**

Easy to Clean Air Filter  
 Front Access



### ≡ FEATURES & BENEFITS ≡

- **Equipped with easy-to-clean Air Filter**  
 The accumulation of dust in the condenser causes failures or breakdowns in refrigeration. Refrigeration operate normally until they accumulate a certain amount of dust. When they reach their limit, performance will drop rapidly, resulting in damages and possible disposal of stored goods. This is why all refrigeration manufacturers require the condenser to be cleaned at least once a month for warranty to remain valid. With Turbo Air, this process is simple and easy due to the frontal access air filter device. Pull out the filter and vacuum lightly to remove the dust. Place it back into position when complete.
- **Hydrocarbon refrigerants (R-290 / R-600a)**  
 With innovative and eco-friendly technology, Turbo Air brings you hydrocarbon refrigerators designed to meet DOE's Energy Conservation Standards in 2017 and to use EPA's SNAP Program approved HC refrigerants. Hydrocarbon refrigerants do not deplete the ozone layer and have very low contribution to global warming (ODP-0, GWP-3).
- **Ergonomically designed doors**  
 Customers' fatigue fades away with easy grip handles and doors that open effortlessly. These features along with self-closing doors make this the ultimate choice in customer convenience.
- **Stainless steel cabinet construction**  
 The exterior and interior of the cabinet are constructed with heavy gauge reinforced stainless steel. Turbo Air Back Bar model guarantees the utmost in cleanliness and long product life. It also adds a touch of style to the most refined setting.
- **Digital Temperature Controller**  
 External digital temperature control has an easily accessible panel to quickly adjust temperatures, which includes a defrost control.
- **Forced air cooling system**  
 Fast cooling and balanced temperature throughout the cabinet.
- **LED interior lighting**
- **Double pane glass doors with Low-E glass (SGSD Models)**
- **High-density polyurethane insulation**  
 The entire cabinet structure is foamed-in-place using high density, HCFC free polyurethane insulation.
- **Adjustable, stainless steel wire shelves**
- **Side mount compressor unit**  
 With compressors positioned on the side of the unit, our refrigerators can now be serviced without being moved. Our innovative, front air intake feature also allows this model to be highly efficient in narrow spaces.
- **Refrigerator holds 33°F ~ 38°F for the best in beverage preservation**

‡ ENERGY STAR rated models

**NATURAL Refrigerant**

**SPCC**  
 ISO 9001:2008

**ETL**  
 Intertek

**ETL**  
 Intertek

**3 YEAR**  
 WARRANTY

**7 YEAR**  
 WARRANTY

**ENERGY STAR®**  
 Qualified


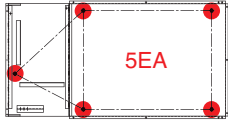
Model	Swing Doors	CU./FT.	1/2 Barrels	#of Shelves	HP	AMPS	Crated Weight (lbs.)	L x D* x H† (inches)
<b>TBB-24-48SSD-N6‡</b>	<b>2</b>	<b>12.2</b>	-	<b>4</b>	<b>1/5</b>	<b>1.8</b>	<b>238</b>	<b>49 1/8 x 24 1/2 x 35 3/8</b>
<b>TBB-24-48SGSD-N</b>	<b>2</b>	<b>12.2</b>	-	<b>4</b>	<b>1/3</b>	<b>2.6</b>	<b>238</b>	<b>49 1/8 x 24 1/2 x 35 3/8</b>

Ver.20220630 Printed in U.S.A. \* Depth does not include 3/8" (SSD) / 1-1/2" (SGSD) for door handles. Depth does not include 1-1/4" for rear spacers. † Height does not include 3-1/8" for caster height.

# Narrow Back Bars

Underbar Equipment  
Super Deluxe Series

## Model : TBB-24-48SSD-N6, TBB-24-48SGSD-N

ELECTRICAL DATA		
Voltage	115/60/1	
Plug Type	 NEMA 5-15P	
Full Load Amperes	1.8 (SSD) / 2.6 (SGSD)	
Compressor HP	1/5 (SSD) / 1/3 (SGSD)	
Refrigerant	R-600a (SSD) / R-290 (SGSD)	
Cord Length (ft.)	8.5	
Lamp (W)	7.5	
DIMENSIONAL DATA		
Capacity	1/2 Barrels	-
	cu. ft.	12.2
Ext. Length Overall (in.)		49 1/8 (1248mm)
Ext. Depth Overall (in.)*		24 1/2 (623mm)
Ext. Height Overall (in.)†		35 3/8 (900mm)
# of Swing Doors		2
# of Shelves		4
Shelf size (L x D) (in.)		16 3/4 x 18
# of Casters		 5EA
Net Weight (lbs.)		214 (SSD) / 214 (SGSD)
Gross Weight (lbs.)		238 (SSD) / 238 (SGSD)

Design and specifications subject to change without notice.

Actual shipping weight may differ due to extra packing materials for product protection.

\* Depth does not include 3/8" (SSD) / 1-1/2" (SGSD) for door handles.

Depth does not include 1-1/4" for rear spacers.

† Height does not include 3-1/8" for caster height.

- **WARRANTY :** 3 Year Parts and Labor Warranty  
Additional 4 Year Warranty on Compressor

### ■ STANDARD FEATURES

- Anti-corrosion coated evaporator
- Self-contained system
- 2.5" dia. swivel casters with locks on the front set
- Door locks

\*\* Lead time applies. Please contact your sales representative for more details to order.

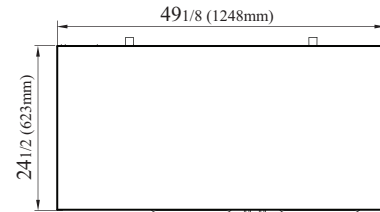
### ■ OPTIONAL ACCESSORIES

- 1" caster, 1/2" diameter & 13 TPI: S28R813660 (non-brake)
- 2" caster for underbar series, 1/2" diameter: P0165B0100 (non-brake), P0165B0110 (w/ brake)
- 4" caster: G8F6500101 (non-brake), G8F6500201 (w/brake)
- 5" caster, 1/2" diameter & 13 TPI: M726500100 (non-brake), M726500200 (w/ brake)
- Leveling leg, 1/2" - 13 TPI x 1.54": LFM1213566
- 6" adjustable stainless steel leg: P0121P0100

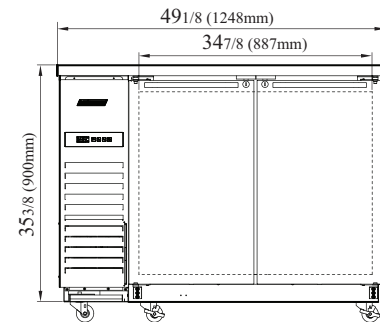
Ver.20220630

## PLAN VIEW

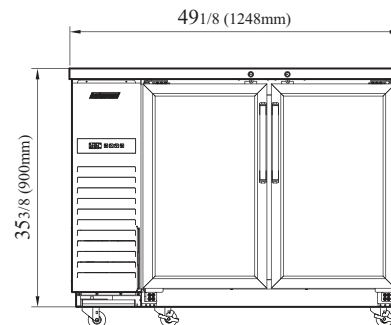
(unit : inch)



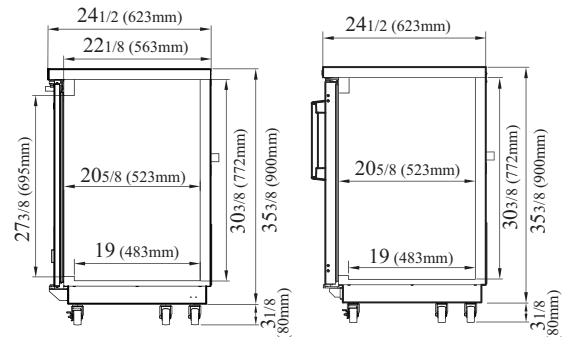
TOP VIEW



TBB-24-48SSD-N6 FRONT VIEW



TBB-24-48SGSD-N FRONT VIEW



TBB-24-48SSD-N6 & TBB-24-48SGSD-N SIDE VIEW

NATURAL Refrigerant

SPEC ISO 9001:2008

ETL Intertek

ETL Intertek

3 YEAR WARRANTY

Compressor 3 YEAR WARRANTY

ENERGY STAR® Qualified

- Turbo Air : 800-627-0032
- GK : 800-500-3519
- Warranty : 800-381-7770
- AC : 888-900-1002

Turbo air REFRIGERATOR MANUFACTURER

GERMAN KNIFE

RADIANCE

Turbo air REFRIGERATION SYSTEM TEXAKING

Continued product development may necessitate specification changes without notice.